

Diamond Hand Edger 1245CH

Installation and Operating Instructions



PRACTICAL SYSTEMS, INC.

11617 Prospect Road • Odessa, FL 33556

(800) 237-8154 • Fax (800) 330-3800

OPERATING INSTRUCTIONS

MODEL 1245CH HAND EDGER

The 1245CH Hand Edger from PSI quickly and easily pin bevels edged lenses for mounting.

WARNING: Never attempt to operate this machine before you have thoroughly read and understood all the instructions. Failure to comply can result in fire, electric shock or serious personal injury. Keep this users manual on hand and review frequently to ensure continued safe operation.

NOTE: Manufacturer assumes no responsibility or liability for any damages caused by negligence or ignorance of precautions in this manual.

SAFETY PRECAUTIONS

- Do not use this machine for any purpose other than hand edging lenses.
- Make sure your power source corresponds to the specifications of the unit. Never operate this machine with the wrong power source.
- Do not place the machine in a hot area or near flammable materials.
- If any type of liquid or material gets into the inner part of the unit, IMMEDIATELY turn off and unplug the unit. Do not turn the power on again until the unit has been checked by a qualified service representative.
- Do not try to disassemble any part of the unit except the parts that are explained in this manual. Doing so will void all warranties.
- Unplug the power cord when not in use for a long period of time.
- Do not touch the wheel while the machine is in operation to avoid injury.
- Do not use replacement parts from other than from the manufacturer. If other replacement parts are used, all warranties will be null and void.

Unpacking The Machine

1. Open the carton and take out the machine wrapped in foam.
2. Carefully remove the machine from the foam packing.
3. Place machine on a stable, flat surface.
4. Make sure the following accessories are included in the package.

Upper Water Can

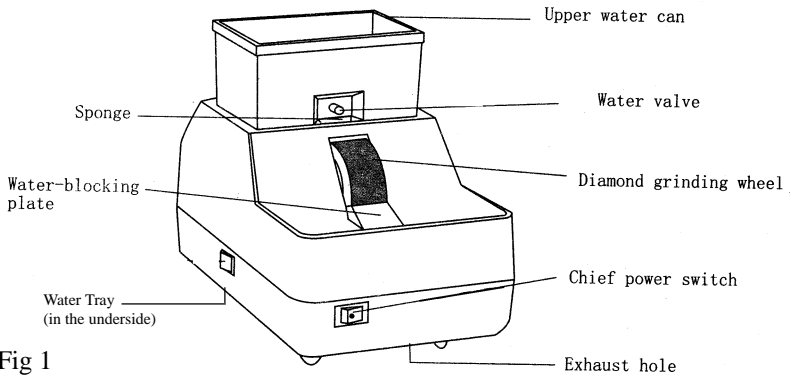
Hose

Plastic Belt

Water Tray (in underside of the machine)

Honing Stick

PARTS



Operation

1. Remove the water tray from the under side of the machine.
2. Remove the phillips head screw from the drain.
3. Connect the hose (supplied) to the drain.
4. Replace the water tray in the underside of the machine.
5. Sit the machine on the table and run the hose into a bucket or reservoir.
6. Place the upper water can in the trough on the top of the machine and fill with clean water. When the machine is used for the first time, take the sponge out from under the water valve and moisten it and put it back in place.
7. Open the water valve and let the water drip at 80-100 drops a minute. Turn on the Switch and the machine is ready to be used.
8. The right side of the wheel is rough, the left side is fine.

Maintenance

Replacing the Wheel

1. Remove cover by removing the two screws on top under the upper water can.
2. Take belt off.
3. Remove the right shaft mount by unscrewing the screws (under the belt) with a 10mm wrench.
4. With a 1" wrench loosen the mounting screw on the left side of the wheel.
5. Slide the wheel off the shaft and replace with new or retrued wheel.
6. Tighten mounting screw.
7. Replace shaft mount and screws.
8. Replace cover and cover screws.

The grinding wheel can be honed when needed. Call PSI at 800-237-8154 to find out about our retruing service and replacement wheels.

**Contact PSI at 800-237-8154 or 727-376-7900,
if you have any questions or problems with your machine.
Thank you for Looking To PSI.**



PRACTICAL SYSTEMS, INC.
11617 Prospect Road • Odessa, FL 33556
(800) 237-8154 • Fax (800) 330-3800

NH-35 series Hand Edge-grinder

Spare Parts List

1. electric motor
2. belt pulley
3. screw
4. bucket
5. lower bucket
6. faucet
7. upper cistern
8. water pipe
9. screw
10. washer
11. grinding wheel sleeve
12. grinding wheel axle
13. outer sleeve
14. spring
15. bearing
16. inner sleeve
17. washer
18. belt pulley
19. washer
20. screw
21. grinding wheel
22. wheel axle (Grade A)
23. splint (motor)
24. belt
25. upper support
26. lower support
27. rubber
28. washer
29. bolt
30. screw
31. spring washer
32. washer
33. lever
34. washer
35. screw
36. motor support
37. washer for lower bucket
38. sponge
39. water-proof sponge

41. capacitor
42. switch
43. rubber
44. bottom plate
45. oilstone stick
46. upper shell
47. plug

NH-35
Spare parts list

